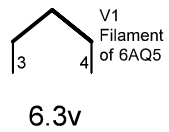
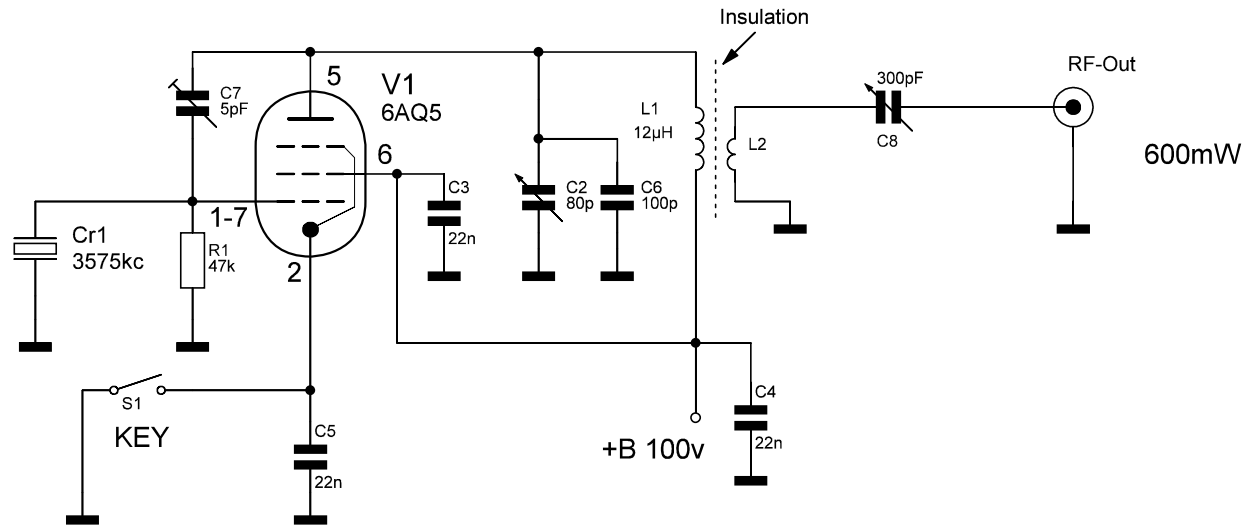


L1: 30 turn 0.6mm CU on 20mm bobin
 L2: 5 turn 1.0mm CU over L2



Template_SM7ZFB

Titel: 6AQ5 CW Transmitter

Test setup #2

6AQ5 1-tube CW transmitter_100512

Ritad: SM7ZFB